

SAFE CleanBox

Sodium Bicarbonate cleaning system
for Medical Device



TECHNICAL DATA SHEET
STK 100

FIELD OF APPLICATION

SAFE CleanBox is the technology dedicated to the pre-washing of Reusable Medical Devices (DMR) intended for sterilization plants and laboratories for the reconditioning or extraordinary maintenance of surgical instruments.

SAFE CleanBox STK100 is a closed cabin for manual cleaning of reusable medical and surgical devices (RMD) which, by means of a mixture of air and water under pressure, enriched with calibrated particles of **SAFEKlinic**[®], a specific composition of synthetic sodium bicarbonate, allows thorough cleaning of the RMDs while ensuring safety and working comfort for the operators.

Loading of the surgical instruments to be treated is allowed thanks to the peculiar upward opening of the front panel of the cabin itself. A simple and practical movement, assisted by two lateral gas springs to facilitate its sliding and guarantee its sealing during opening and closing. A large front glass, equipped with a magnifying glass, allows instant verification of the cleaning effectiveness. There are also certified cut-resistant gloves, fixed by means of two removable external flanges to facilitate their replacement.

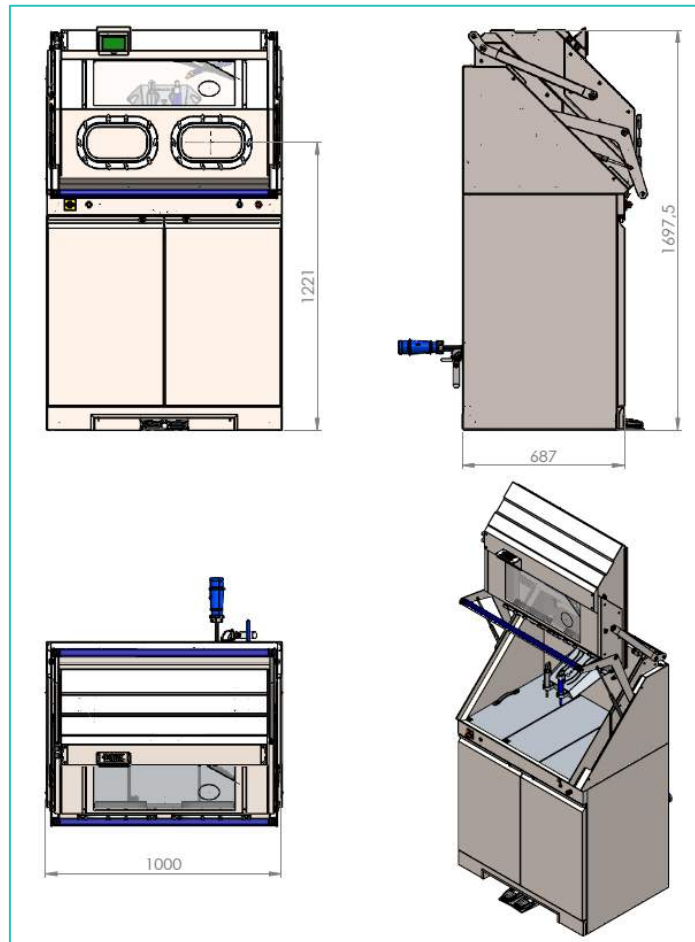


System is also equipped with an aspiration system for the put into depression of cabin and an exhaust system for waste water.

Inside the cabin there are the two washing handpieces, complete with nozzles, one intended to the emission of the air-water- mixture and the other one intended for rinsing with water and compressed air. The two handpieces are both removable from their seats to facilitate the operator in the washing of complex or bulky objects and are controlled by two pedals placed on the ground in front of the cabin where the operator's place.

All operations for the SAFE CleanBox system functioning can be controlled from the touchscreen panel placed on the upper wall of the cabin.

MODEL STK 100

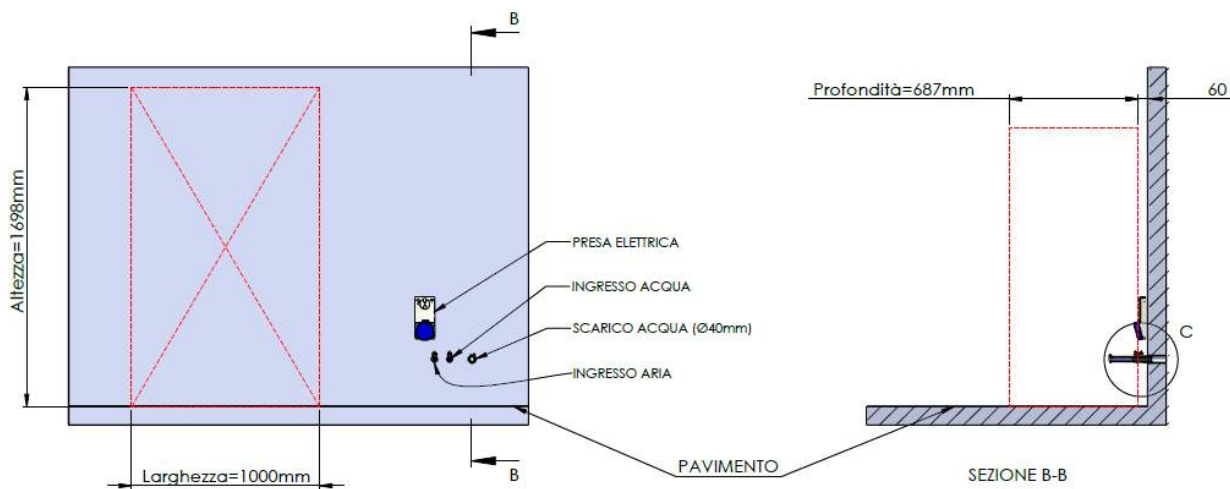


DIMENSIONS

MEASURES

DIMENSIONS	1000 mm (width) x 687 mm (depth)
HIGH	1697 mm
WEIGHT	320 kg
DRAINPIPE	Diameter 40 mm

CONNECTIONS



CONNECTIONS

AIR CONNECTION	1/2" – DN 15 mm
POWER CONNECTION	Socket CEE 2P+T - 16A - 220 V
WATER CONNECTION	1/2" – DN 15 mm
WATER TYPE	Standard water network
DRAIN CONNECTION	Ø 40 mm

SUPPLY

POWER SUPPLY	230 v - 50 Hz - 16A	Power 3,2 kW
AIR SUPPLY	6 bar (min) a 10 bar (max)	1/2" – DN 15 mm
WATER SUPPLY	3 bar (min)	1/2" – DN 15 mm
MINIMUM AIR CONSUMPTION	L/min 400	
MINIMUM WATER CONSUMPTION	L/min 7	

CONSUMPTIONS



CONSUMPTIONS

SAFEKLINIC [®] CLEANING CYCLE		HYDROJET RINSING CYCLE	
WATER	2 liter/minute	WATER	6 liter/minute
AIR	400 NL/minute	AIR	400 NL/minute
SAFEKlinic [®]	200 grams/minute		